

T42 Non-Modular Surge Protective Device 50kA per Phase

50kA/phase Model



This is the T42 Non-Modular SPD with a 50kA per Phase surge current capacity. This T42 Non-Modular Surge Protective Device has a 2.3" x 2.5" x 1.6" NEMA 4X rated polycarbonate enclosure and weighs 0.5 pounds. It has a watertight indoor/outdoor rating, a liquid-tight connector, and external mounting flanges. This unit is the perfect fit for applications in which the SPD must fit in a small space or where high-capacity units are not required. These qualities also make this unit especially useful in downstream applications.

The T42 is a single phase unit, available in 120V and 240V configurations; the 120V unit may be used interchangeably in 127V applications. Phase protection is indicated by a single LED. The LED will remain lit to let the user know the unit has power and is in good health. The LED should be lit after installation; an off condition after proper installation will indicate one of the monitored modes experienced a failure.

It is only available as a UL 1449 Type 1 device, which may be placed on the line or load side of a main disconnect. This SPD uses advanced Thermally Protected Metal Oxide Varistors. Its MOVs are of the same high quality and design as all the other SPDs in our surge protection family of units. The T42 carries a 10-year warranty.

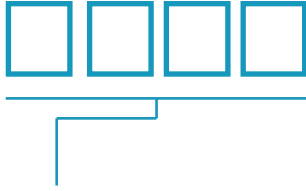
This unit has 30" of #12 AWG wire leads.

General Technical Specifications

| | |
|--------------------------------------|--|
| Connection Type | Parallel, Wire Lead - #12 AWG |
| Voltage, Phase Configuration | 120V Single Phase, (L1, N, G) 240V Single Phase, (L1, L2, G) |
| Maximum Continuous Operating Voltage | 120V, 150 VAC (125%); 127V, 150 VAC (118%); 240V, 320 VAC (115%) |
| Surge Capacity | 25kA/Mode, 50kA/Phase |
| Short Circuit Current Rating (SCCR) | 200kAIC |
| Protection Modes | All Modes: L-N, L-G, N-G |
| Operating Frequency Range | 47 - 63 Hz |
| UL 1449 Location Type | Type 1 (<i>SPDs intended for Line or Load Side of Main Disconnect</i>) only |
| UL 1449 Nominal Discharge Current | 10 kA |
| Standards | UL 1449 4th Edition, CSA, UL 96A Lightning Protection Master Label compliant |
| Status Indication | LED |
| Enclosure | NEMA 4X Polycarbonate |
| Dimensions | 2.29" x 2.54" x 1.63" (H x W x D) |
| Weight | 0.50 lbs |
| 50 Ohm EMI/RFI Attenuation | -45db max(Type 1); from 10 kHz to 100MHz. The system provides up to 120dB insertion loss from 100 kHz to 100 MHz when used in a coordinated facility system. |
| Response Time | <0.5 nanoseconds |
| Operating Temperature | -40°C to +75°C |
| Operating Humidity | 0% to 95% non-condensing |
| Warranty | 10 Years |

T42 Non-Modular Surge Protective Device 50kA per Phase

T42



Voltage & Phase Configuration Code

120N = 120V Single Phase (L1, N, G) - Fig 1

240L = 240V Single Phase (L1, L2, G) - Fig 2



Surge Current Capacity Code
025 = 50kA/Phase

A W A J 1 S M

Connection Type

W - Wire Lead

UL 1449 Location Type

1 - Type 1

Example Product number:

Filled in:

Complete:

T42 120N 025 A W A J 1 S M = T42120N025AWAJ1SM

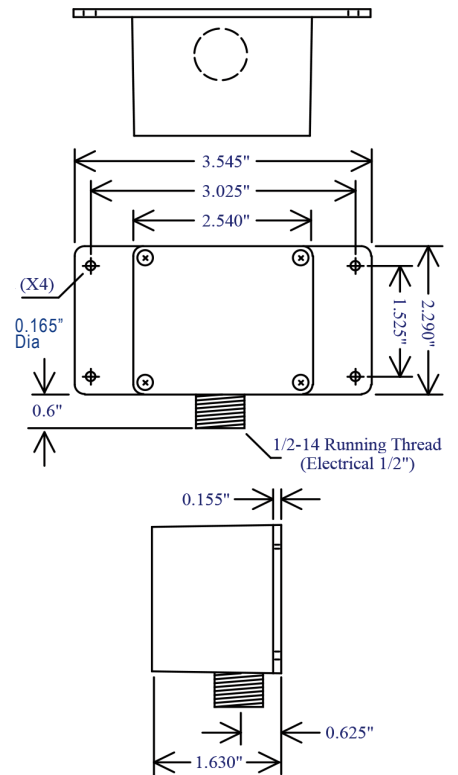


Fig. 1

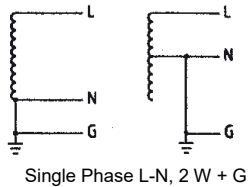
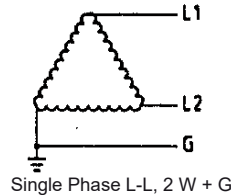


Fig. 2



System Voltage Compatibility

| Model Voltage/Phase Code | Nominal System Voltages | System Configuration | MCOV | I _n | SCCR | UL 1449 Voltage Protection Rating | | | |
|--------------------------|-------------------------|----------------------|------|----------------|-------|-----------------------------------|------|-----|------|
| | | | | | | L-N | L-G | N-G | L-L |
| 120N | 120 | Single Phs, 2W+G | 150 | 10kA | 200kA | 700 | 700 | 700 | |
| 240L | 240 | Single Phs, 2W+G | 320 | 10kA | 200kA | | 1200 | | 1200 |

Rev 23.09.02-1.1